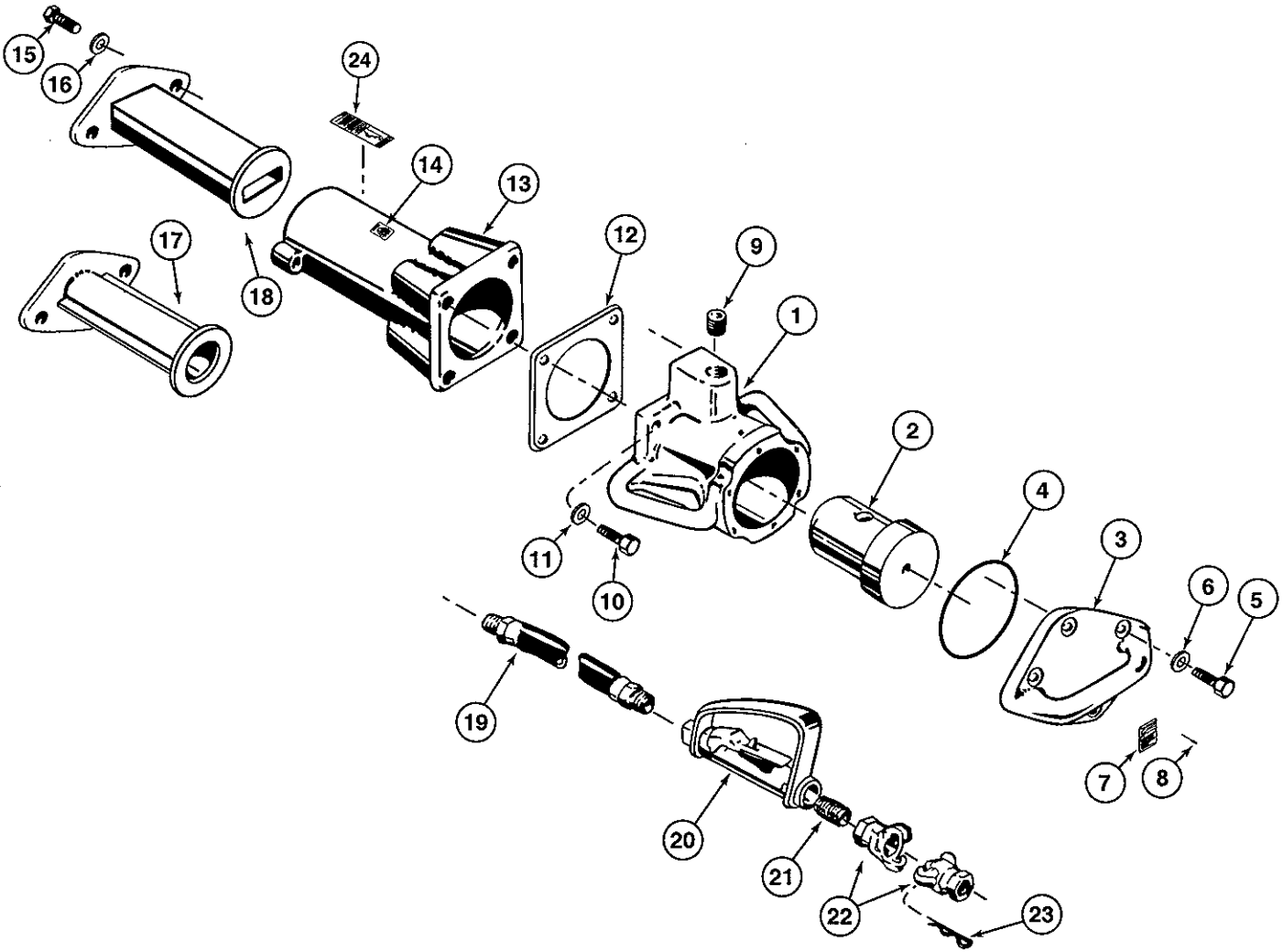


# Rhino<sup>®</sup> Exploded View

## PD-55 Air Operated Post Driver & Accessories



# **Parts List**

## **PD-55 Air Operated Post Driver & Accessories**

<b>NO.</b>	<b>DESCRIPTION</b>	<b>PART NO.</b>	<b>NO. REQUIRED</b>
	Model PD-55 with 3 7/8" (98.4 mm) I.D. Master Chuck	070013	
1	Body	070580	1
2	Piston	070034	1
3	Top Cover	070581	1
4	O-Ring	499401	1
5	Cap Screw	500021	6
6	Compression Washer	517705	6
7	Model/Serial No./Warning Plate	235	1
8	Pop Rivet	519004	4
9	Pipe Plug	230400	1
10	Cap Screw	500178	4
11	Compression Washer	517702	4
12	Gasket	700001	1
13	3 7/8" (98.4 mm) I.D. Master Chuck Assembly (Includes Nos. 10, 11, 12, 13, 14, 24)	070592	1
14	Rhino Decal	135	1
15	Cap Screw	500178	2
16	Compression Washer	517702	2
17	3 1/2" (88.9 mm) I.D. Chuck Adapter*	070609	
	3" (76.2 mm) I.D. Chuck Adapter*	070610	
	2 1/2" (63.5 mm) I.D. Chuck Adapter*	070611	
	2" (50.8 mm) I.D. Chuck Adapter*	070612	
	1 1/2" (38.1 mm) I.D. Chuck Adapter*	070613	
	1" (25.4 mm) I.D. Chuck Adapter*	070614	
18	Channel Post Chuck Adapter (1.2 to 1.5 lbs/ft Posts)*	070617	
	Channel Post Chuck Adapter (2 to 2.75 lbs/ft Posts)*	070618	
	Channel Post Chuck Adapter (3 to 4 lbs/ft Posts)*	070619	
	*See Chuck Sizing Tech Data (Form No. 121-1); Includes Necessary Cap Screws and Compression Washers		
	Throttle Valve Kit with 2 ft Hose Assembly (Includes Nos. 19, 20, 21, 22, 23)	600000	
19	3/4" (19 mm) Hose Assembly	607000	1
	3/4" (19 mm) Hose Per Foot (Order Length Needed)	605006	
20	Throttle Valve with Lever Guard	610026	1
21	Pipe Nipple	230401	1
22	Coupler	606600	2
23	Safety Clip	606601	1
24	Warning Label	244	1



Rhino Tool Company • 620 Andrews Ave., PO Box 111 • Kewanee, IL 61443 • www.rhinotool.com • Tel: 309-853-5555 • Fax: 309-856-5905

Rhino Tool Company has a policy of continuous product improvement and reserves the right to change specifications, designs, or prices at any time without notice or incurring obligations for said changes.

 and  are registered trademarks of Rhino Tool Company.

© Copyright 2002 Rhino Tool Company

Printed in U.S.A.

Form 238 - 1/02